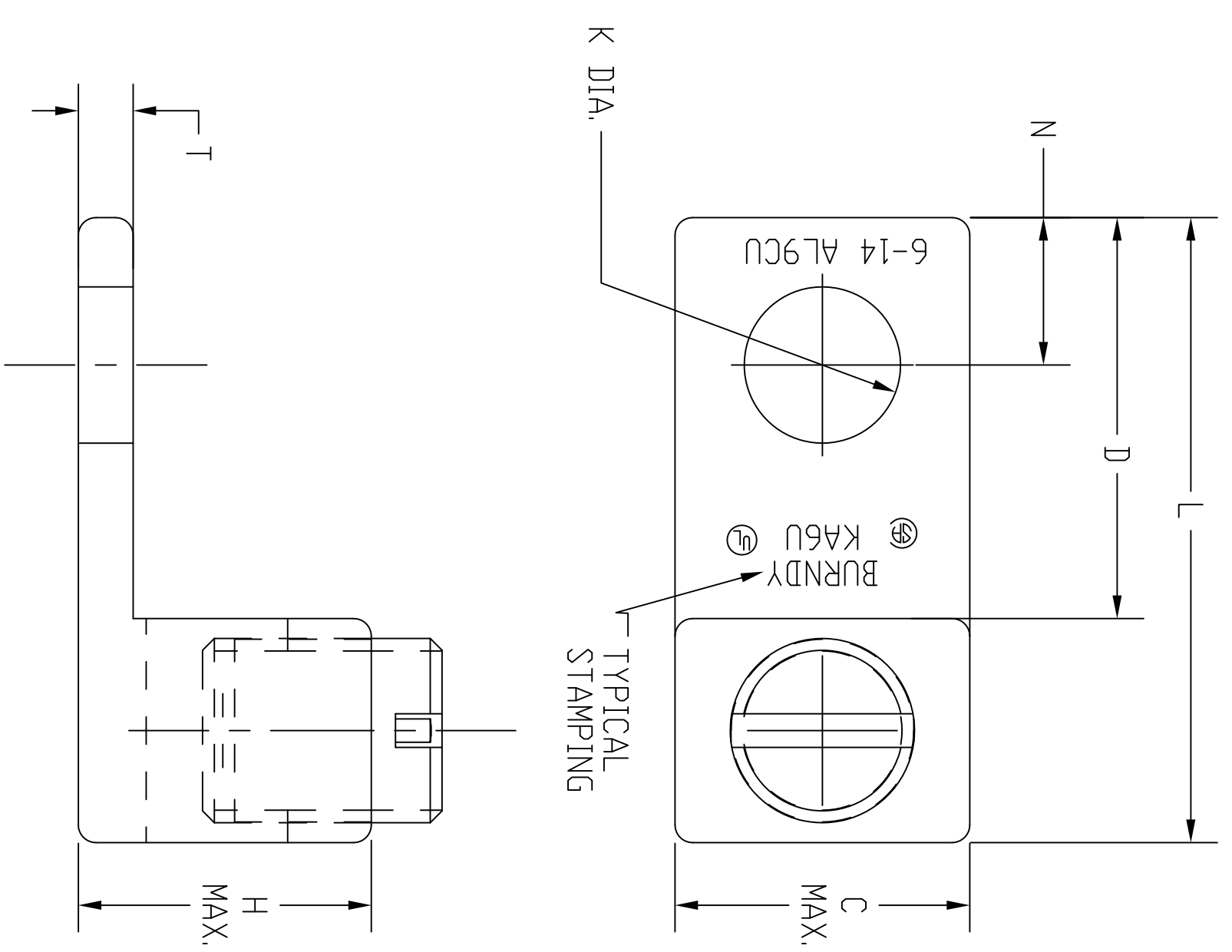


ITEM NO.	DESCRIPTION	QTY.	CATALOG NUMBER	DESCRIPTION
1	GROUND WIRE CONNECTOR	100	HGBKA6U	GROUND CONNECTOR, AL

CONDUCTOR RANGE ALUMINUM OR COPPER	BOLT HOLE SIZE	DIMENSIONS						RECOMMENDED TIGHTENING TORQUE: INLBS NM		
		C MAX.	D	E	H MAX.	K DIA.	L		N	T
14 STR. - 6 STR.	1/4" [6.3]	.50 [13]	.63 [16]	----	.51 [13]	.27 [7]	1.06 [27]	.25 [6]	.09 [2]	45 (5)



- NOTES:**
- CONNECTORS ARE UL LISTED TO UL486A- 486B FOR ALUMINUM AND COPPER CONDUCTORS AT 90C (AL9CU).
 - CONNECTORS ARE CSA CERTIFIED TO C222, ND. 65 FOR INDICATED CONDUCTOR RANGE.
 - LISTED TORQUE VALUES ARE FOR MAXIMUM CONDUCTOR SIZES ACCOMMODATED. CONSULT UL486 TABLES 7-4, 7-5, & 7-6 FOR SMALLER CONDUCTOR SIZES.
 - NOT RECOMMENDED FOR USE IN HIGHLY CORROSIIVE ENVIRONMENT.
 - SPECIFICATIONS SUBJECT TO CHANGE WITHOUT NOTICE.

REV.	ECN	DATE	DESCRIPTION	CHG BY	APPD BY
1	17862	3/5/12	INITIAL RELEASE	CG	

Created on AUTOCAD		DIMENSIONING AND TOLERANCE PER ANSI Y14.5M-1982 UNLESS OTHERWISE SPECIFIED, DIMENSIONS ARE IN INCHES (MM). TOLERANCES XX = ±.02 (±.5) XXX = ±.03 (±.8) ANGLE TOU .1°	
PROJECT REFERENCE: 2011-041		MATERIAL: ALUMINUM BODY WITH STEEL SCREW FINISH: TIN PLATED	
DRAWN BY: C. GRIBBLE 3/5/12		CHECKED BY:	
APPROVED BY:		APPROVED BY:	
		Hubbell Premise Wiring HUBBELL INCORPORATED (Delaware) 14 Lord's Hill Road, Stonington, Connecticut 06378	
TITLE: GROUND TERMINAL, AL		SIZE DRAWING NO. D HWS14030C	
SCALE: 1/1		SHEET 1 OF 1	
REV. 1			